

Wireless Bell and Tone Synchronization

Eliminate the confusion that occurs when bells ring out of sync with clocks on the wall. Our Event Scheduler Pro Software lets you set precise tone schedules on your PC. Use of the Wireless Data Transceivers enables you to create a schedule from a main workstation and send it wirelessly to the transmitter.

If your facility has multiple locations, you can coordinate schedules system-wide through remote scheduling capability. (Remote access software is required to send the schedule to multiple facilities.) Our Wireless Tone System can be integrated with your existing PA or tone system.

- 14480 Wireless Tone System
(Includes Wireless Tone Generator, Event Scheduler Pro Software, and Wireless Data Transceivers)
- 14002 Wireless Tone Generator and Event Scheduler Pro Software
- 14367 Wireless Tone Generator



Wireless Data Transceiver



Wireless Tone Generator

Wireless Event Signal

Looking for a more accurate way to coordinate outdoor event timing with the rest of your facility's activities? Our wireless signal is ideal for outdoor common areas or parking areas. The bell provides a loud and clear synchronized notice across large areas. The wireless signal is built for the outdoors, so it will stand up to the elements. Installation of the Event Scheduler Pro Software is needed to create perfectly timed sound.

- 14490 Wireless Bell Package
(Includes Bell, Wireless Tone Generator, and Event Scheduler Pro Software)
- 14489 Wireless Bell (Includes Bell and Wireless Tone Generator)
- 14486 Bell



Wireless Event Signal

Wireless Tone Generator and Scheduler Transceiver Specifications:

Tone Generator (refer to Figure 1)

- Housing dimensions 7.25" L (18.41cm) x 5.5" W (13.97cm) x 1.25" D (3.18cm)
- Antenna: 12.5" L (31.75cm)
- Power supply:
 - Input: 120 VAC 50/60 Hz 0.4 Amp
 - Output: 9 VDC 0.25 Amp (6' (1.83m) cord)

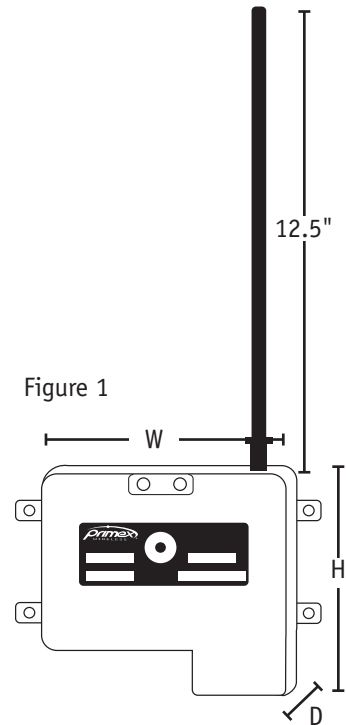


Figure 1

Scheduler Transceivers (refer to Figure 2)

- Dimensions 4.75" L (12.1cm) x 1.25" H (3.18cm) x 2.75" D (6.99cm)
- Antenna: 7.75" L (19.69cm)

Bell (refer to figure 3)

- Dimensions: 6" L (15.24cm) x 6" W (15.24cm) x 4.75" D (12.07cm)
(6" (15.24cm) gong)
- Weight: 4 lbs. (1.81kg)
- Power supply:
 - Input: 120 VAC pig tail
- Current Requirement: 0.09 Amps
- Decibels at 10' (3.05m): 92-94
- Universal backplate included

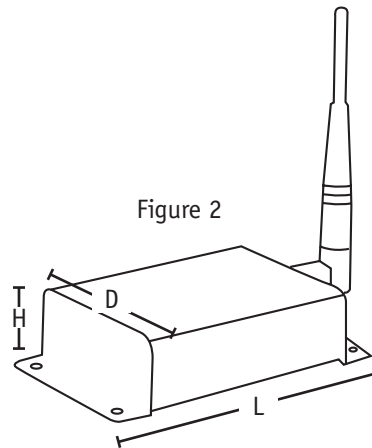


Figure 2

Figure 3



Primex Wireless - Corporate Headquarters
 965 Wells Street
 Lake Geneva, WI 53147
 (800) 537-0464
www.primexwireless.com

Primex Wireless - Canada
 1310 Kerrisdale Blvd Unit #4
 Newmarket, Ontario L3Y 8V6
 (800) 330-1459
www.primexwireless.ca