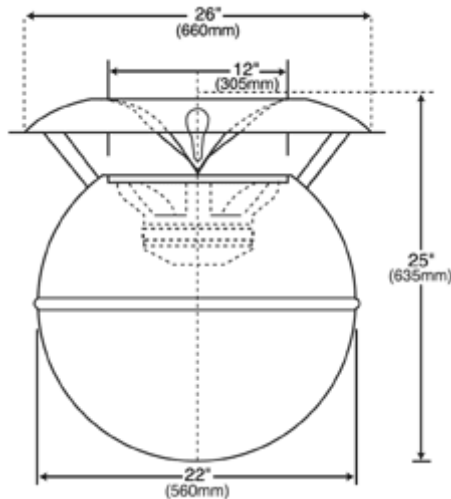


## Model Q-12A Loudspeaker For high sound pressure levels

Soundsphere's Model Q-12A omnidirectional loudspeaker provides a more powerful sound system where clear voice announcements and high-fidelity foreground music at high sound pressure levels are required. Applications include gymnasiums, ice rinks, transportation terminals, factories and nightclubs. The Q-12A is also available in a weatherproof configuration (Q-12AWR) for outdoor use, featuring a protective screen over the holes and driver to prevent birds from nesting in the speaker.

Along with its hemispherical coverage pattern, the Q-12A loudspeaker provides high sensitivity (97dB 1W/1m) and high SPL capability (121dB 250W/1m), and utilizes our exclusive patent-pending Poly-exponential Incidence Reflector. This loudspeaker can be mounted using our hanging kit or mounting bracket and comes in both standard and custom colors.

### Q-12A Technical Data



#### MODEL Q-12A APPLICATIONS:

- Gymnasiums
- Ice Rinks
- Arenas
- Churches
- Swimming Pools
- Transportation Terminals
- Factories
- Open Public Areas
- Bars & Nightclubs

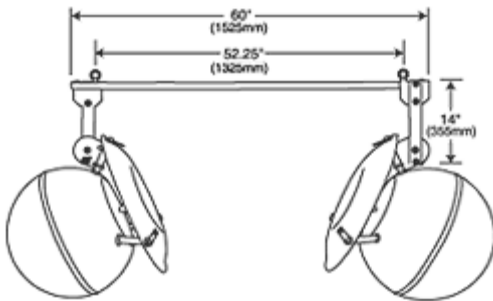
*And applications where clear voice announcements and high-fidelity foreground music are required at high sound levels.*

#### MODEL Q-12A SPECIFICATIONS:

<b>Sensitivity:</b>	97dB SPL; 1 Watt/1 meter
<b>Maximum SPL:</b>	121dB; 250 Watts/1 meter
<b>Power Handling:</b>	250 Watts RMS
<b>Frequency Response:</b>	60Hz to 16kHz ± 6dB
<b>Coverage:</b>	180° vertical 360° horizontal
<b>Rated Impedance:</b>	8 ohms
<b>Weight:</b>	39 lbs. (17.6 kg)
<b>Size:</b>	Height: 25" (635mm) Sphere Diameter: 22" (560mm) Reflector Diameter: 26" (660mm)
<b>Driver:</b>	12" true coaxial

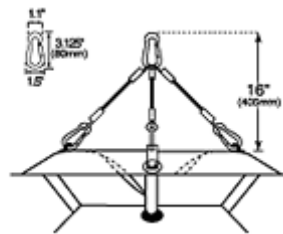
<b>Material:</b>	Enclosure and reflector are fiberglass with gelcoat finish; rust-resistant hardware
<b>MODEL Q-12A SAMPLE INSTALLATIONS:</b>	
<b>School Gymnasiums:</b> <a href="#">1</a> // <a href="#">2</a> // <a href="#">3</a>	
<a href="#">Manufacturing Plant</a>	
<a href="#">Amusement Park</a>	
<b>Under Tents:</b> <a href="#">1</a> // <a href="#">2</a>	
<a href="#">Ballroom</a>	
<b>Museums:</b> <a href="#">1</a> // <a href="#">2</a>	
<a href="#">College Field House</a>	
<a href="#">Ice Rink</a>	
<a href="#">Speedway Grandstands</a>	
<a href="#">Stadiums</a>	

### Model Q-12A Accessories

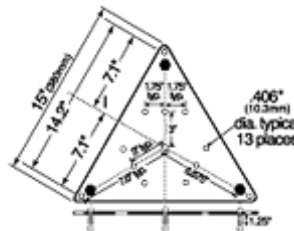


**Q-COMBO KITS**

Model	Description
<b>Q-Combo 2 (shown)</b>	Combines 2 Model Q-12A loudspeakers
<b>Q-Combo 3</b>	Combines 2 Model Q-12A and 1 Model <a href="#">Q-SB2</a> sub-bass loudspeakers
<b>Q-Combo 4</b>	Combines 4 Model Q-12A loudspeakers
<b>Q-Combo 5</b>	Combines 4 Model Q-12A and 1 Model <a href="#">Q-SB2</a> sub-bass loudspeakers



**Hanging Kit – Order No. HKL**



**Mounting Bracket – Order No. MBL**

### Line Matching Transformer — Order No. TX-250

The Model TX-250 is a 250 Watt line matching transformer for the Model Q-12A, with taps for 70 and 100 Volt constant voltage systems. The TX-250 is designed for factory mounting in the Q-12A reflector. Connection to system wiring is via 6" color-coded flying leads. Available taps: 70 Volt: 250, 125, and 62.5 Watts; 100 Volt: 250