

## Q-Series

### MODEL Q-LB LOUDSPEAKER

*For use with Model Q-6 Based Systems*

#### Applications:

- Bars/Nightclubs
- Restaurants
- Specialty Retail Establishments
- Health Clubs
- Conference/Training Rooms
- Applications where enhanced low frequency response in SoundSphere Model Q-6 based systems is required.

#### For Installations Requiring:

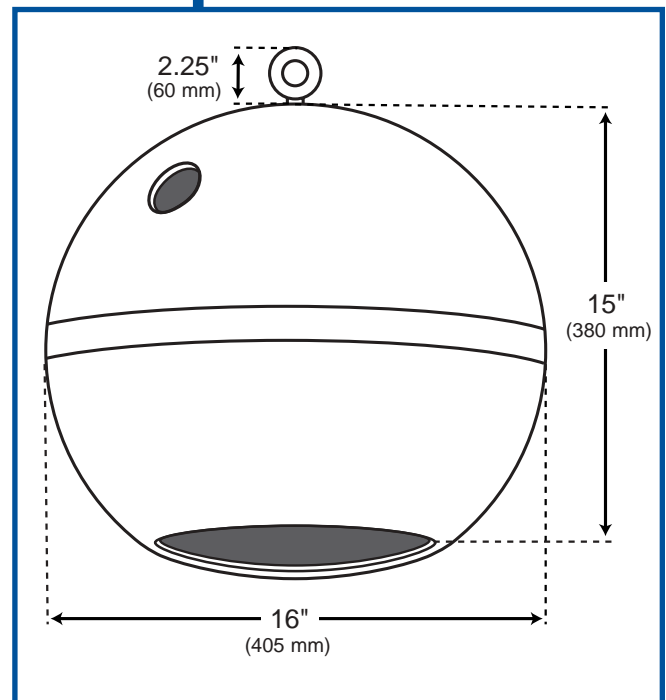
- Enhanced Low Frequency Performance in SoundSphere® Model Q-6 Based Systems

#### Features:

- Powerful, low frequency performance from a compact enclosure
- Designed to sonically and aesthetically complement the SoundSphere® Model Q-6 Loudspeaker

#### Specifications:

<b>Sensitivity</b>	93dB SPL 1 Watt/1 meter
<b>Maximum SPL</b>	113dB SPL 100 Watts/1meter
<b>Power Handling</b>	100 Watts RMS
<b>Frequency Response</b>	65Hz to 200Hz ±6dB
<b>Recommended Crossover Frequency</b>	150 Hz; 18dB/octave
<b>Coverage</b>	360° vertical 360° horizontal
<b>Rated Impedance</b>	8 ohms
<b>Weight</b>	14 lbs. (6.4 kg)
<b>Dimensions</b>	16" (405 mm) diameter sphere
<b>Drivers</b>	1 x 8"
<b>Material</b>	Enclosure is fiberglass with gelcoat finish
<b>Connector</b>	Flying Leads
<b>Accessories</b>	Electronic Crossover Model Q-CX (see reverse)



## SOUNDSPHERE®

### Division of Sonic Systems, Inc.

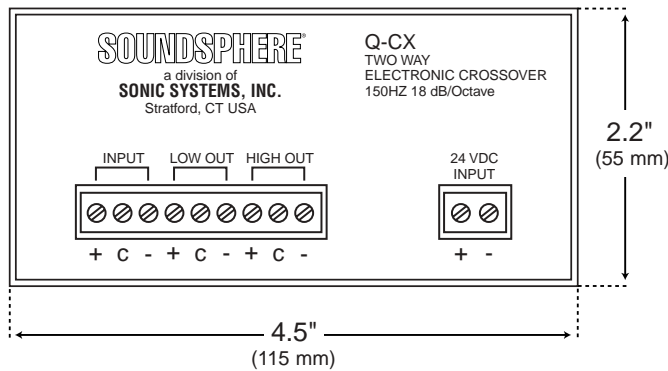
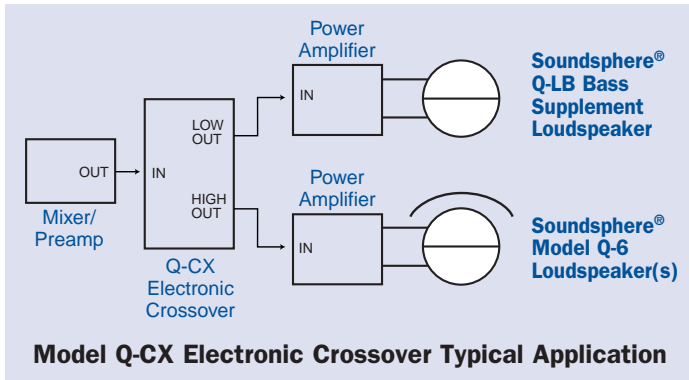
10 Research Drive, Stratford, CT 06615  
(203) 386-9200 • Fax: (203) 386-0773 • Web: [www.soundsphere.com](http://www.soundsphere.com)

*Log on to [www.soundsphere.com](http://www.soundsphere.com) for EASE database download, more detailed information, or to learn about other SoundSphere® products.*

**Accessories**

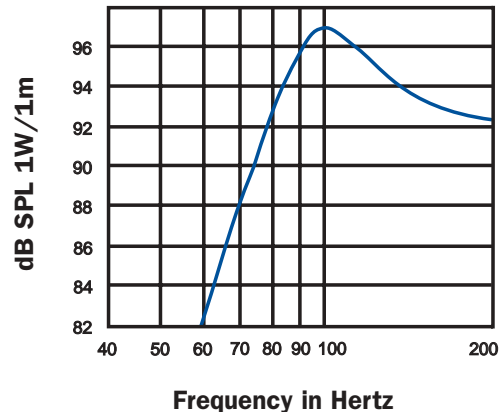
**Q-CX Electronic Crossover**

The Model Q-CX is a compact electronic crossover designed to produce proper performance of the Model Q-LB in a system with Model Q-6 loudspeakers.



**Model Q-CX Specifications**

<b>Inputs/Outputs</b>	Phoenix-type compression terminal block. Optional connector kits are available for applications requiring XLR or 1/4" phone plug connectors. Inputs and outputs are electronically balanced.
<b>Filter Slope</b>	18dB/octave
<b>Crossover Frequency</b>	150Hz (-3dB)
<b>Power Supply</b>	24-30 VDC @ 100mA
<b>Power Supply Connection</b>	Phoenix-type compression terminal block
<b>Dimensions</b>	4.5" L x 2.2" W x 0.75" H
<b>Weight</b>	.5 Lbs. (.23 kg)



**Architects and Engineers Specifications**

The loudspeaker shall be a self-contained low frequency device. The frequency response shall be 65Hz to 200Hz  $\pm 6$ dB; the 360° vertical and 360° horizontal coverage shall be  $\pm 2$ dB.

The loudspeaker shall have a minimum sensitivity of 93dB 1W/1m, a continuous power handling capability of 100 Watts RMS, at a rated impedance of 8 ohms.

The loudspeaker driver complement shall be one 8" bass unit. The driver shall be mounted in a spherical enclosure made of fiberglass. The loudspeaker shall be equipped with a single eyebolt to facilitate hanging.

The enclosure color shall be ordered in advance, otherwise white shall be supplied. The loudspeaker shall be comprised of a 16" (405 mm) diameter sphere with driver mounted opposite the mounting eyebolt. The complete loudspeaker shall weigh 14 lbs. (6.4kg). The loudspeaker shall be the Soundsphere® Model Q-LB.

**Warranty**

Soundsphere® loudspeakers are warranted against failure or malfunction due to defects in materials or workmanship for a period of five years from date of original purchase. Defective units will be repaired or replaced at our option if delivered prepaid to our factory. Repaired or replaced units will be returned at our expense. Warranty does not cover appearance or damage caused by abuse, misuse, neglect, accident, or exceeding maximum rated power. Warranty does not cover labor costs involved in removing and/or reinstalling the defective unit, nor any liability due to accidents caused by improper installation. Warranty is extended to original purchaser and is not transferable.