

Q-Series

MODEL Q-8 LOUDSPEAKER

For Installations Requiring:

- Clear Voice Announcements
- High Fidelity Foreground Music
- High Fidelity Background Music

Features:

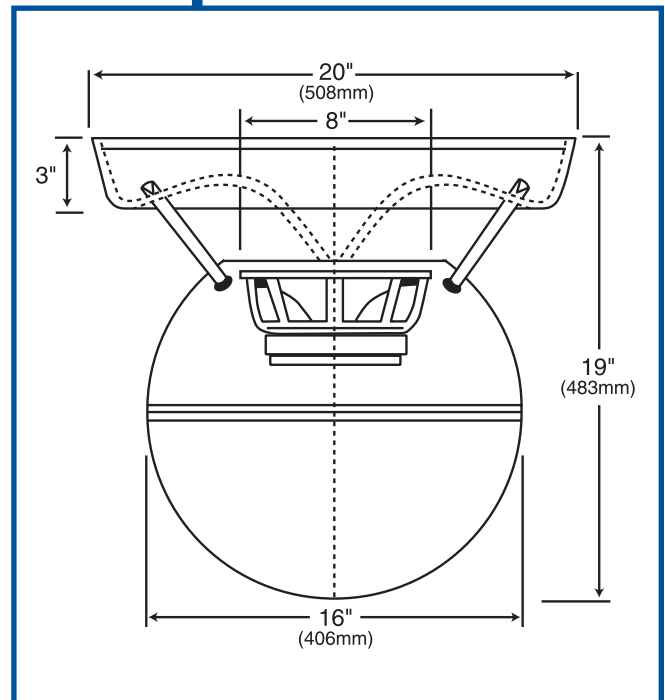
- Hemispherical coverage pattern
- Accurate, full range voice announcements
- Enhanced high fidelity music reproduction
- High sensitivity (94dB 1W/1m)
- High power handling capability (100 Watts RMS)
- Hanging or surface mount
- Standard and custom colors available

Applications:

- Restaurants
- Bars/Nightclubs
- Hotel Lobbies/Atriums
- Courtrooms
- Gymnasiums
- Educational Facilities
- Churches
- Retail Stores
- Shopping Centers
- Airports
- Applications where clear voice announcements and high fidelity foreground music are required

Specifications:

Sensitivity	94dB SPL 1 Watt/1 meter
Maximum SPL	114dB 100 Watts/1 meter
Power Handling	100 Watts RMS
Frequency Response	55Hz to 17kHz ±6dB
Coverage	180° vertical 360° horizontal
Rated Impedance	8 ohms
Weight	22.5 lbs. (10.2 kg)
Size	Height: 19" (483mm) Sphere Diameter: 16" (406mm) Reflector Diameter: 20" (508mm)
Driver	Coaxial: 8" LF 1" dome HF
Material	Enclosure and reflector are fiberglass with gelcoat finish; rust resistant hardware



SOUNDSPHERE®

Division of Sonic Systems, Inc.

10 Research Drive, Stratford, CT 06615
 (203) 386-9200 • Fax: (203) 386-0773
 Web: www.soundsphere.com

Log on to www.soundsphere.com for EASE database download, more detailed information, or to learn about other SoundSphere® products.

**Diameter of Coverage
Single Soundsphere Loudspeaker**

Floor-to-Loudspeaker Height in Feet	Direct Field SPL Variation in dB				
	3 (±1.5)	4 (±2)	5 (±2.5)	6 (±3)	7 (±3.5)
12	15	20.5	24	27	32
14	19.5	25	30	34	40
16	24	29.5	36	41	48
18	28.5	35	42	48	56
20	31.5	40	48	55	64
22	35	45	54	62	72
24	39	50	60	69	80
26	43	55	66	76	88
28	47	60	72	83	96
30	51	65	78	90	104
32	55	70	84	97	
34	59	75	90	104	
36	63	80	96		
38	67	85	102		
40	71	90			

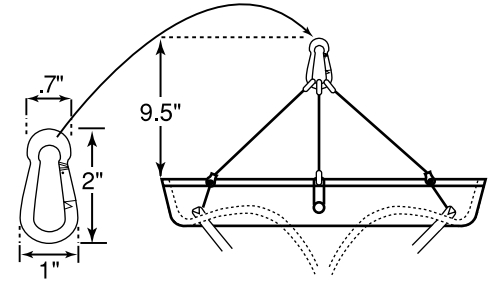
Based on Nominal Ear Height of 4 Ft.

**Diameter of Coverage for
Soundsphere Loudspeakers in a
Multi-loudspeaker Distributed System**

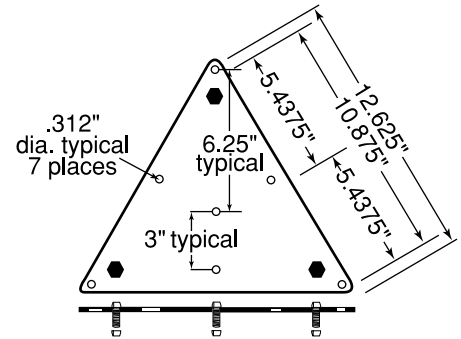
Floor-to-Loudspeaker Height in Feet	Direct Field SPL Variation in dB				
	3 (±1.5)	4 (±2)	5 (±2.5)	6 (±3)	7 (±3.5)
12	27	32	36	42	48
14	33	38	45	52	60
16	39	44	54	62	72
18	46	54	63	72	84
20	52	62	72	82	96
22	60	70	81	92	103
24	66	78	90	102	
26	72	86	100		
28	78	94			
30	84	100			
32	90				
34	96				
36	100				

Based on Nominal Ear Height of 4 Ft.

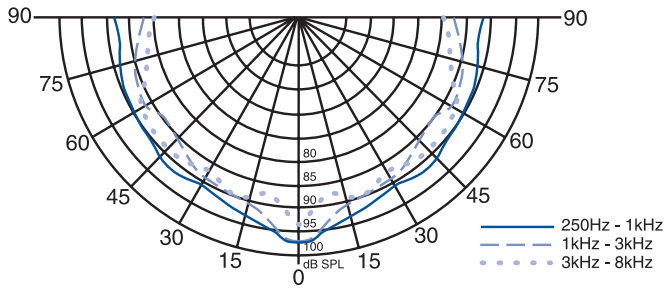
Accessories



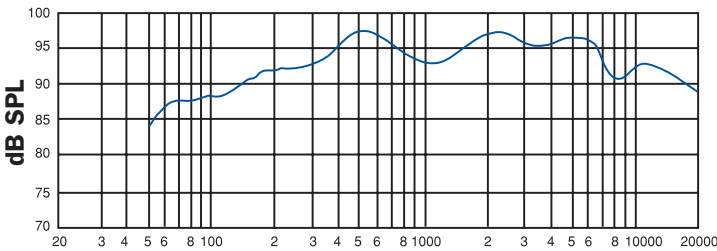
Hanging Kit — Order No. HK



Mounting Bracket — Order No. MBM



Vertical Polar Response



Hemispherical Frequency Response 1W/1m

Line Matching Transformer — Order No. TX100

The Model TX100 is a 100 watt line matching transformer for the Model Q-8 with taps for 25V, 70V, and 100V constant voltage systems. The Model TX100 is factory mounted in the reflector of the Model Q-8, and its low profile permits the use of the Q8HK hanging kit or the Q8MB mounting bracket. Connection to system wiring is via color coded flying leads. Available taps: 25V-25W, 12.5W; 70V and 100V-100W, 50W, 25W, 12.5W.

Architects and Engineers Specifications

The loudspeaker shall be a self contained, wide range device with a wide coverage pattern. The frequency response shall be 55 Hz - 17kHz, ± 6dB; the vertical polar coverage shall be 180°.

The loudspeaker shall have a minimum sensitivity of 94dB SPL at 1 Watt/1 meter, a continuous power handling capability of 100 Watts RMS, and a rated impedance of 8 ohms.

The loudspeaker driver shall be one 8 inch woofer with a 1 inch dome tweeter mounted coaxially. The driver shall be mounted in a spherical enclosure made of fiberglass. All hardware shall be stainless or plated steel. Optional mounting kits are available: a bracket to mount flat against a ceiling or wall surface, or a three element cable hanging kit for single point suspension.

The enclosure and reflector color shall be ordered in advance, otherwise white shall be supplied. The loudspeaker shall be comprised of a 20 inch diameter reflector mounted to a 16 inch diameter sphere. The complete loudspeaker shall be 19 inches in overall height and weigh 22.5 lbs (10.2kg). The loudspeaker shall be the Soundsphere Model Q-8.

Warranty

Soundsphere® loudspeakers are warranted against failure or malfunction due to defects in materials or workmanship for a period of five years from date of original purchase. Defective units will be repaired or replaced at our option if delivered prepaid to our factory. Repaired or replaced units will be returned at our expense. Warranty does not cover appearance or damage caused by abuse, misuse, neglect, accident, or exceeding maximum rated power. Warranty does not cover labor costs involved in removing and/or reinstalling the defective unit, nor any liability due to accidents caused by improper installation. Warranty is extended to original purchaser and is not transferable.