

Q-Series

MODEL Q-6 LOUDSPEAKER

For Installations Requiring:

- Clear Voice Announcements
- High Fidelity Background Music
- High Fidelity Foreground Music
- Fast Distributed System Installation
- Fully Weatherproof Speakers

Features:

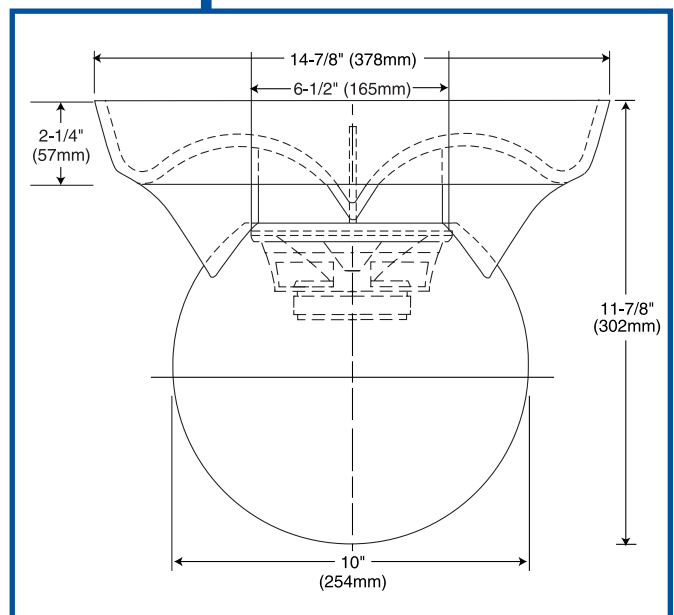
- Fully weatherproof for year-round exposure to the elements
- Hemispherical Coverage Pattern
- Accurate, full range voice announcements
- Enhanced high fidelity music reproduction
- Fully assembled and ready to mount
- Hanging or surface mount
- Standard and custom colors available

Specifications:

Sensitivity	88dB SPL 1W/1m
Maximum SPL	103dB SPL 35W/1m
Power Handling	35 Watts continuous RMS
Frequency Response	70Hz to 17kHz ±6dB
Coverage	180° vertical 360° horizontal
Rated Impedance	4 ohms
Weight	8 lbs. (3.6 kg)
Size	Height: 11 7/8" (302mm) Sphere Diameter: 10" (254mm) Reflector Diameter: 14 7/8" (378mm)
Driver	Coaxial: 6 1/2" LF 1/2" dome HF Constructed of inorganic materials impervious to environmental contaminants (weather, ozone, UV, chlorine, salt, etc.)
Material	Enclosure and reflector are structural foam polystyrene with rustproof hardware

Applications:

- Health Clubs
- Sports Bars
- Restaurants
- Hotel Lobbies
- Classrooms
- Retail Stores
- Shopping Center Common Areas / Food Courts
- Outdoor applications requiring weatherproof speakers
- Anywhere full range music and voice in a compact omnidirectional speaker is required



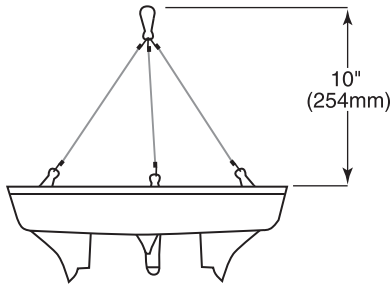
SOUNDSPHERE®

Division of Sonic Systems, Inc.

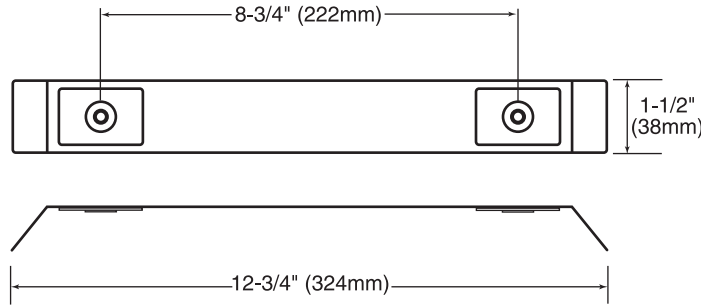
10 Research Drive, Stratford, CT 06615
(203) 386-9200 • Fax: (203) 386-0773 • Web: www.soundsphere.com

Log on to www.soundsphere.com for more detailed information, or to learn about other SoundSphere products.

Accessories



Hanging Kit — Order No. HK



Mounting Bracket — Order No. MBS
for mounting speaker on a flat surface

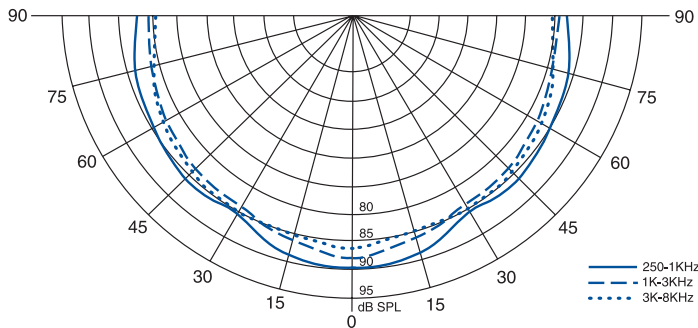
Beam Clip — Order No. BC
Locates a 1/4" hole on a 1/8" to 1/4" beam flange using just a hammer.



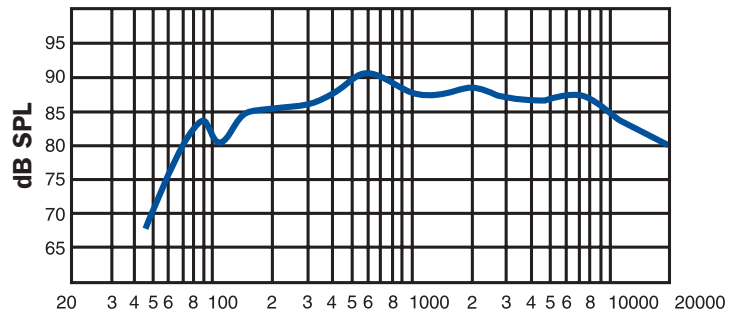
Drop Ceiling Bracket — Order No. DCB
Two twist clips and MBS are supplied. Clips twist onto t-bar stringers, and mounting bracket attaches with wing nuts.

Line Matching Transformer — Order No. TX30

The Model TX30 is a 30 Watt line matching transformer for the Model Q-6 with taps for 25, 50, 70, and 100 Volt constant voltage systems. The TX30 is designed for factory or field mounting in the Q-6 reflector. Connection to system wiring is via 10" color coded flying leads. Available taps: 25 Volt: 30, 15, 7.5, 3.8, 1.9, 1.0, 0.5 Watts; 50 Volt: 30, 15, 7.5, 3.8, 1.9 Watts; 70 Volt: 30, 15, 7.5, 3.8 Watts; 100 Volt: 30, 15, 7.5 Watts.



Vertical Polar Response



Hemispherical Frequency Response 1W/1m

Architects and Engineers Specifications

The loudspeaker shall be a self contained, wide range device with a wide coverage pattern. The frequency response shall be 70Hz to 17kHz ± 6 dB; the vertical polar coverage shall be 180° within ± 4 dB.

The loudspeaker shall have a minimum sensitivity of 88dB SPL 1 Watt/1 meter, a continuous power handling capability of 35 Watts RMS, and a rated impedance of 4 ohms.

The loudspeaker driver shall be one 6½ inch woofer with a ½ inch dome tweeter mounted coaxially. The driver shall be mounted in a spherical enclosure made of structural foam polystyrene. Assembly hardware shall be rustproof. Optional mounting kits are available; a bracket to mount flat against a ceiling surface, or a three element hanging kit for single point suspension.

The enclosure and reflector color shall be ordered in advance, otherwise white shall be supplied. The loudspeaker shall be comprised of a 14½ inch (378mm) diameter reflector mounted to a 10 inch (254mm) diameter sphere. The complete loudspeaker shall be 11½ (302mm) inches in overall height and weigh 8 lbs. (3.6kg). The loudspeaker shall be the Soundsphere Model Q-6.

Warranty

Soundsphere® loudspeakers are warranted against failure or malfunction due to defects in materials or workmanship for a period of five years from date of original purchase. Defective units will be repaired or replaced at our option if delivered prepaid to our factory. Repaired or replaced units will be returned at our expense. Warranty does not cover appearance or damage caused by abuse, misuse, neglect, accident, or exceeding maximum rated power. Warranty does not cover labor costs involved in removing and/or reinstalling the defective unit, nor any liability due to accidents caused by improper installation. Warranty is extended to original purchaser and is not transferable.