

Q-Series

MODEL Q-15 LOUDSPEAKER

For Installations Requiring:

- Clear Voice Announcements
- Full-Range Music Reproduction
- High Sound Pressure Levels
- Extended Low-Frequency Response

Features:

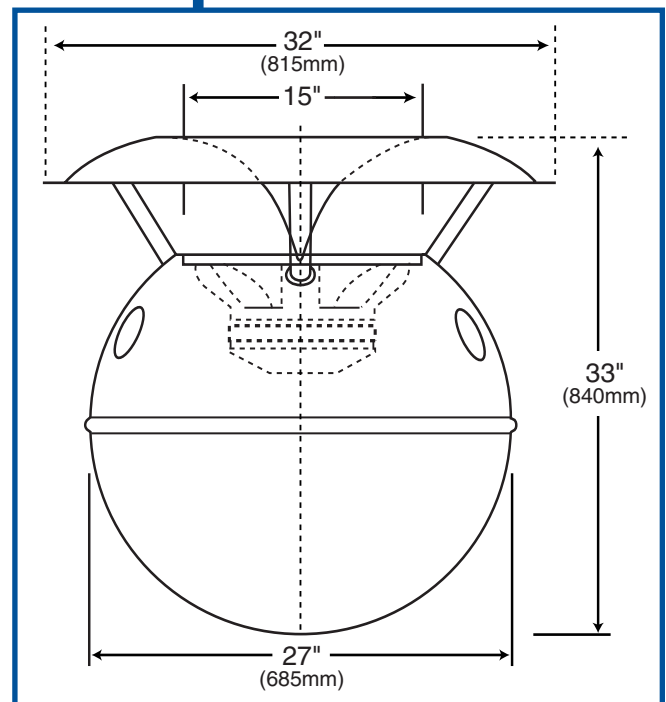
- Hemispherical coverage pattern
- Accurate, full-range voice announcements
- High-fidelity music reproduction
- High sensitivity (97dB 1W/1m)
- High SPL capability (122.5dB 350W/1m)
- High power handling capability (350W RMS)
- Standard and custom colors available

Applications:

- **Gymnasiums**
- **Ice Rinks**
- **Arenas**
- **Churches**
- **Swimming Pools**
- **Open Public Areas**
- **Bars/Nightclubs**
- **Applications where clear voice announcements and high-fidelity foreground music with extended low-frequency performance at high sound pressure levels are required**

Specifications:

Sensitivity	97dB 1 Watt/1 meter
Maximum SPL	122.5dB 350 Watts/1 meter
Power Handling	350 Watts RMS
Frequency Response	35Hz to 15kHz
Coverage	180° vertical 360° horizontal
Rated Impedance	8 ohms
Weight	63 lbs. (28.6 kg)
Size	Height: 33" (840mm) Sphere Diameter: 27" (685mm) Reflector Diameter: 32" (815mm)
Driver	15 inch true coaxial (LF and HF share common magnetic circuit)
Material	Enclosure and reflector are fiberglass with gelcoat finish; rust-resistant hardware



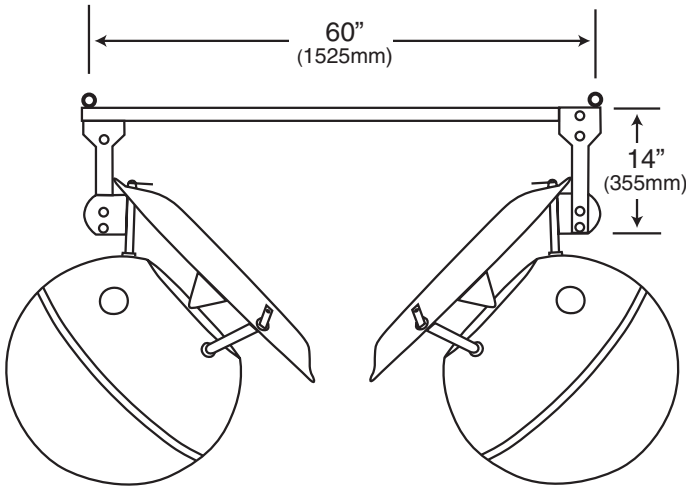
SOUNDSPHERE®

Division of Sonic Systems, Inc.

10 Research Drive, Stratford, CT 06615
(203) 386-9200 • Fax: (203) 386-0773 • Web: www.soundsphere.com

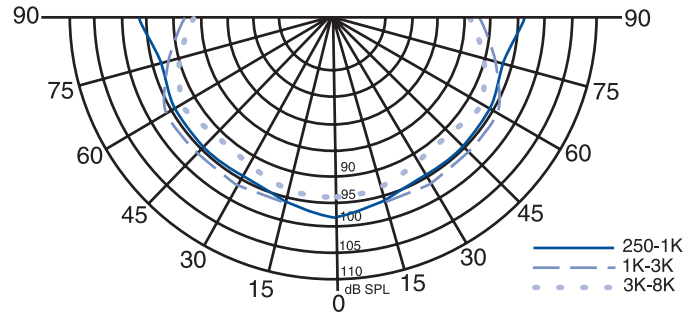
Log on to www.soundsphere.com
for system design guides,
EASE data and detailed
product information.

Accessories

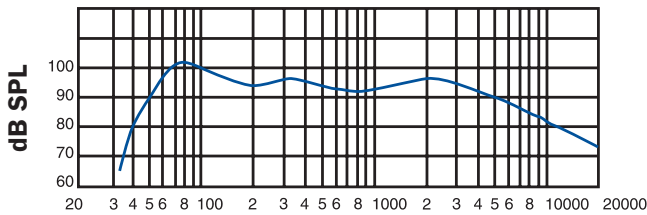


Combination Kits

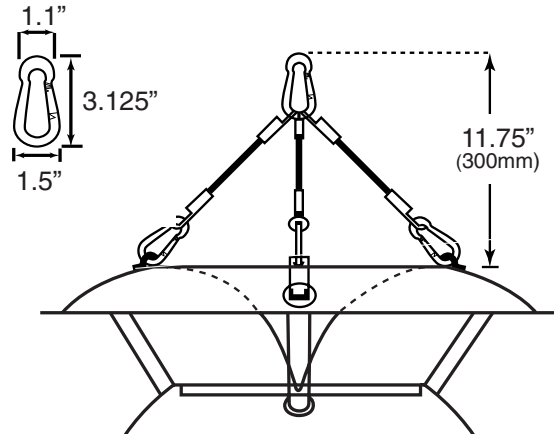
Kit	Description
Q-15Combo2	BK2 bracket and 2 Model Q-15 loudspeakers
Q-15Combo4	BK4 bracket and 4 Model Q-15 loudspeakers



Vertical Polar Response



Hemispherical Frequency Response 1W/1m



Hanging Kit — Order No. HKL

Line Matching Transformer – Order No. TX-250

The Model TX-250 is a 250 Watt line matching transformer for the model Q-15 with taps for 70 and 100 Volt constant voltage systems. The TX-250 is designed for factory mounting in the Q-15 reflector. Connection to system wiring is via 6" color coded flying leads. Available taps: 70 Volt: 250, 125, and 62.5 Watts; 100 Volt: 250 and 125 Watts.

Architects and Engineers Specifications

The loudspeaker shall be a self-contained, wide-frequency-range device with a hemispherical coverage pattern. The frequency response shall be 35Hz - 15kHz; the vertical polar coverage shall be 180° within ± 6dB.

The loudspeaker shall have a minimum sensitivity of 97dB SPL at 1 Watt/1 meter, a continuous power handling capability of 350 Watts RMS, and a rated impedance of 8 ohms.

The loudspeaker driver shall be one 15-inch woofer with coaxial tweeter sharing a common magnetic circuit. The driver shall be mounted in a spherical enclosure made of fiberglass. All hardware shall be stainless steel, plated steel, or aluminum. Optional mounting kits are available; a three-element cable hanging kit for single-point suspension, or array kits for multiple loudspeaker, single source systems.

The enclosure and reflector color shall be ordered in advance, otherwise white shall be supplied. The loudspeaker shall be comprised of a 32-inch (815mm) diameter reflector mounted to a 27-inch (685mm) diameter sphere. The complete loudspeaker shall be 33 inches (840mm) in overall height and weigh 63 lbs. (28.6kg). The loudspeaker shall be the Soundsphere® Model Q-15.

Warranty

Soundsphere® loudspeakers are warranted against failure or malfunction due to defects in materials or workmanship for a period of five years from date of original purchase. Defective units will be repaired or replaced at our option if delivered prepaid to our factory. Repaired or replaced units will be returned at our expense. Warranty does not cover appearance or damage caused by abuse, misuse, neglect, accident, or exceeding maximum rated power. Warranty does not cover labor costs involved in removing and/or reinstalling the defective unit, nor any liability due to accidents caused by improper installation. Warranty is extended to original purchaser and is not transferable.

