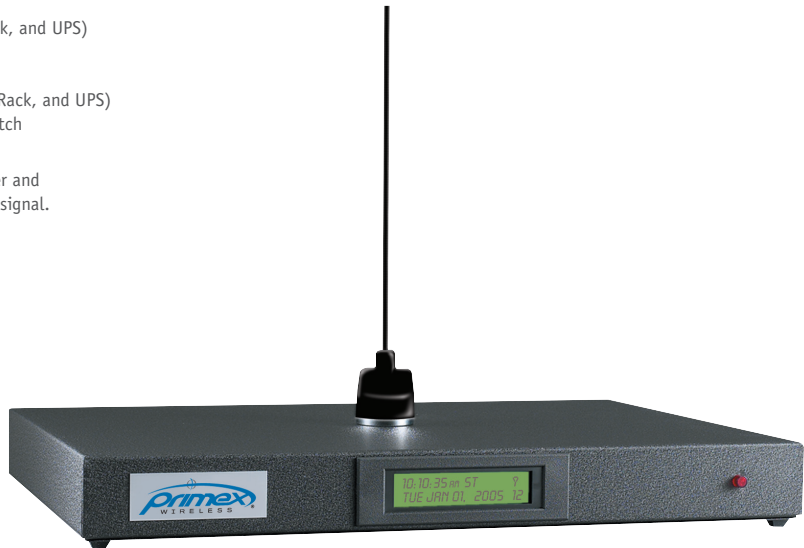


## 1-Watt Transmitter – Internal Antenna

Ideal for single buildings or smaller applications, the 1-Watt Transmitter with an internal antenna is easily installed by the end user. For applications in which more than one transmitter is required, the Satellite Transmitter provides additional coverage.

- 14143 Primary Transmitter Package  
(Includes Transmitter, GPS Receiver, Rack, and UPS)
- 14000 Primary Transmitter with GPS Receiver
- 14144 Satellite Transmitter\* Package  
(Includes Transmitter, Receiver Switch, Rack, and UPS)
- 14006 Satellite Transmitter\* with Receiver Switch

\* Satellite Transmitter requires installation of a Transmitter and GPS Receiver in order to receive and transmit GPS time signal.



1-Watt Transmitter – Internal Antenna

## 1-Watt Transmitter – External Antenna

Large building or small campus applications can get complete coverage with the 1-Watt Transmitter with an external antenna. Packed with power, this end-user installable system will get your facility up and running with wireless synchronized timekeeping right away!

- 14000-E\* 1-Watt Transmitter – External Antenna

\* Requires selection of antenna mounting kit  
– Pole/Wall Mount (item #ANT-P1)  
– Non-Penetrating Mast (item #ANT-NP1)



1-Watt Transmitter – External Antenna

## Transmitter Specifications:

### All Transmitters

- 1 Watt maximum transmission (at transmitter)
- 72 MHz frequency range
- 16 channels available (pre-programmed prior to shipping)
- Daylight saving time bypass switch
- Time zone adjustment switch (pre-programmed on 14000E prior to shipping)
- LCD display for time, date, and signal verification
- Dimensions: 16.0"L (40.6cm) x 12.0"W (30.5cm) x 1.9"D (4.8cm)
- Power Supply:
  - Input: 120 VAC, 50/60 Hz, 0.4 Amp
  - Output: 9 VDC, 2.0 Amp (6 ft. cord, 1.83cm)
- Operating Range: 32° - 158°F (0° - 70°C)

### Transmitter with Internal Antenna (refer to Figure 1)

- Antenna: 46.0"L (116.8cm)
- Weight: 7.75 lbs. (3.5kg)

### Transmitter with External Antenna

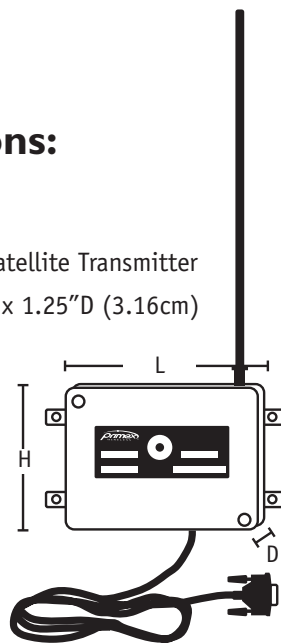
- Cabling: 100' (30.48m) between transmitter and antenna provided
- FCC Part 90 Accepted
- IC RSS-119 Accepted
- Weight: 9 lbs. (4.1kg)

### Satellite Transmitter

- Requires installation of a Master Transmitter in order to receive and transmit the GPS time signal
- Antenna: 46.0"L (116.8cm)
- Weight: 7.75 lbs. (3.5kg)

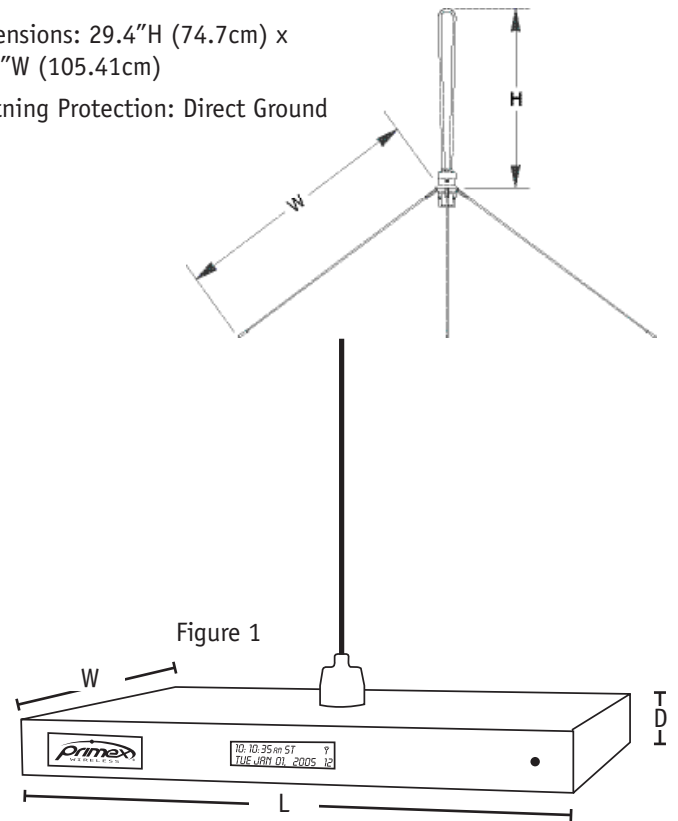
## Receiver Switch Specifications:

- Included with Satellite Transmitter
- 5' RS232 cable connects Receiver Switch to the Satellite Transmitter
- Dimensions: 5.75"L (14.6cm) x 4.25"H (10.8cm) x 1.25"D (3.16cm)
- Antenna: 12.5"L (31.75cm)
- Weight: 0.75 lb. (.34kg)
- Power Supply:
  - Input: 120 VAC, 50/60 Hz, 0.4 Amp
  - Output: 9 VDC, 0.25 Amp (6 ft. cord, 1.83cm)
- Operating Range: -32° - 158°F (-36° - 70°C)



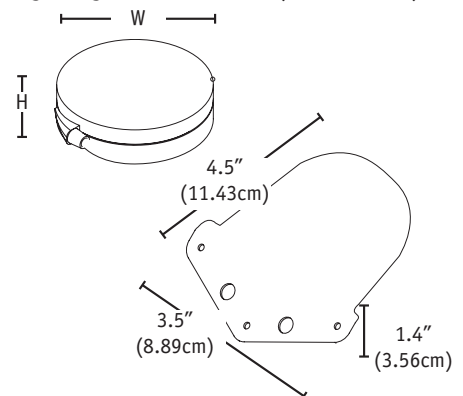
## Ground Plane Antenna Specifications:

- Dimensions: 29.4"H (74.7cm) x 41.5"W (105.41cm)
- Lightning Protection: Direct Ground



## GPS Receiver Specifications:

- Included with Primary Transmitter
- 10' cable (3.05m) (50-(15.24m), 100-(30.48m), 150-(45.72m), and 200-(60.69m) foot extensions available)
- Mounting bracket and hardware included for rooftop or window installation
- Dimensions: 2.5"W (6.35cm) x .75"H (1.91cm)
- Weight: 0.75 lb. (.34kg)
- Operating Range: -32° - 158°F (-30° - 70°C)



Primex Wireless - Corporate Headquarters  
 965 Wells Street  
 Lake Geneva, WI 53147  
 (800) 537-0464  
[www.primexwireless.com](http://www.primexwireless.com)

Primex Wireless - Canada  
 1310 Kerrisdale Blvd Unit #4  
 Newmarket, Ontario L3Y 8V6  
 (800) 330-1459  
[www.primexwireless.ca](http://www.primexwireless.ca)